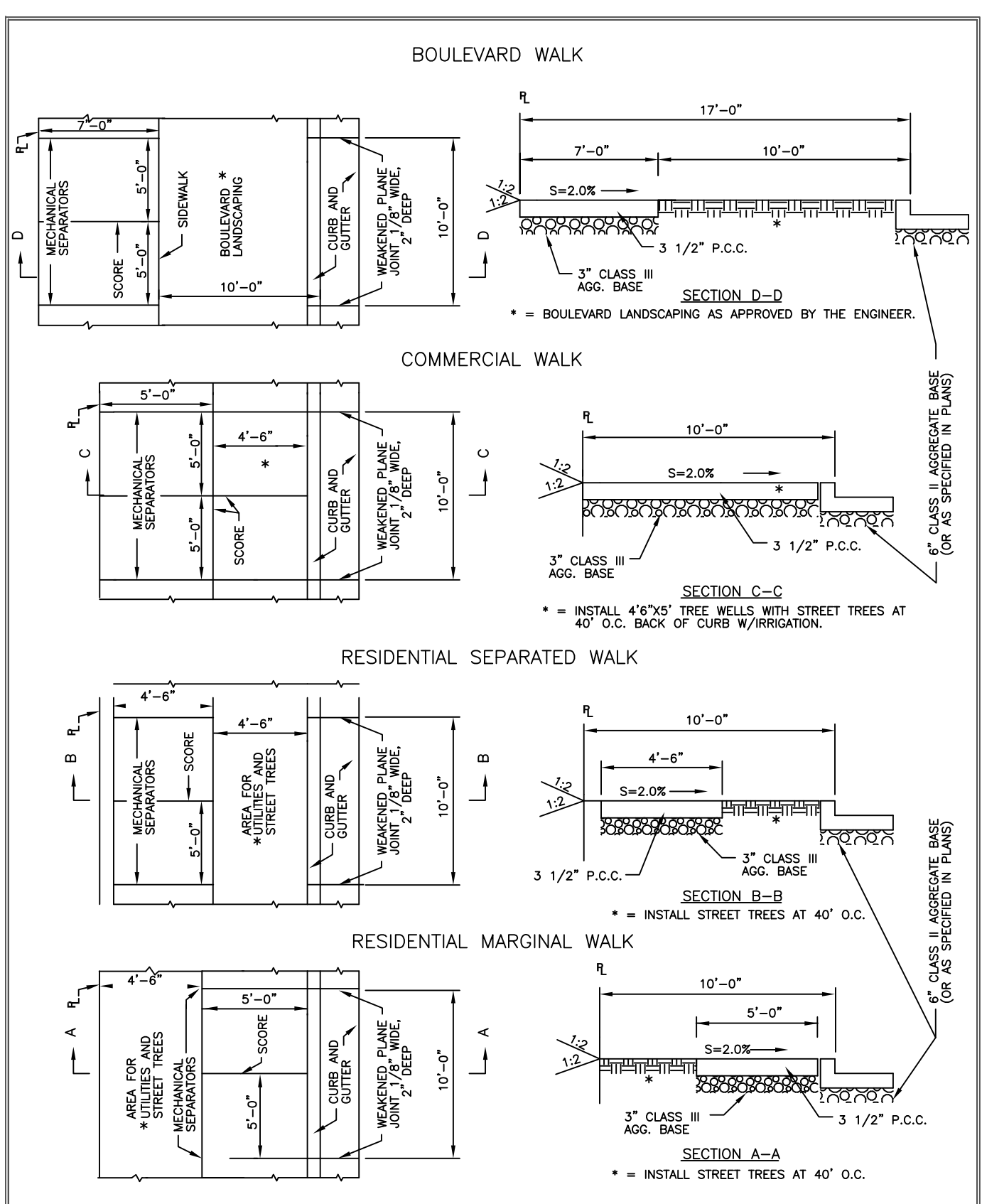
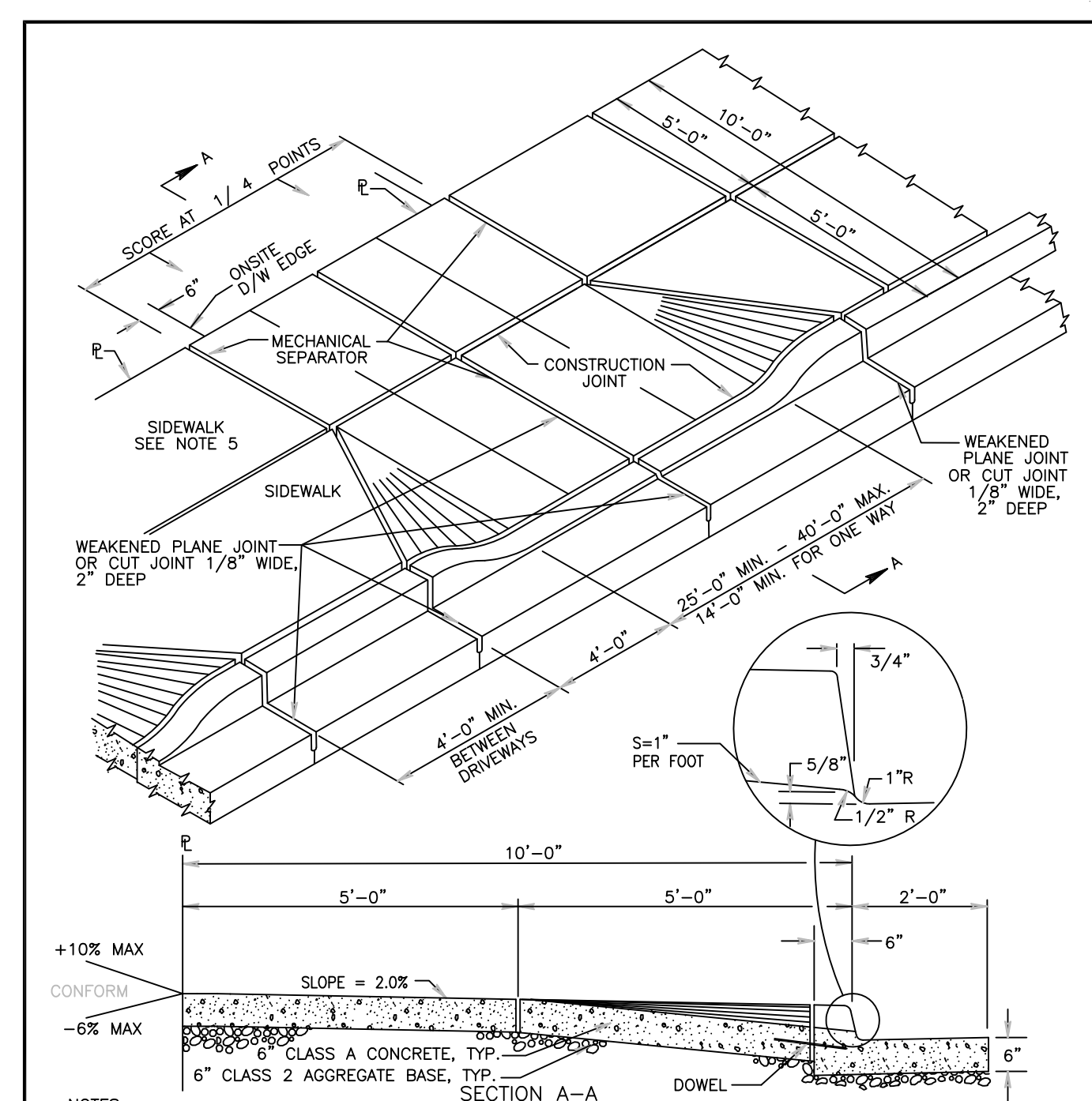


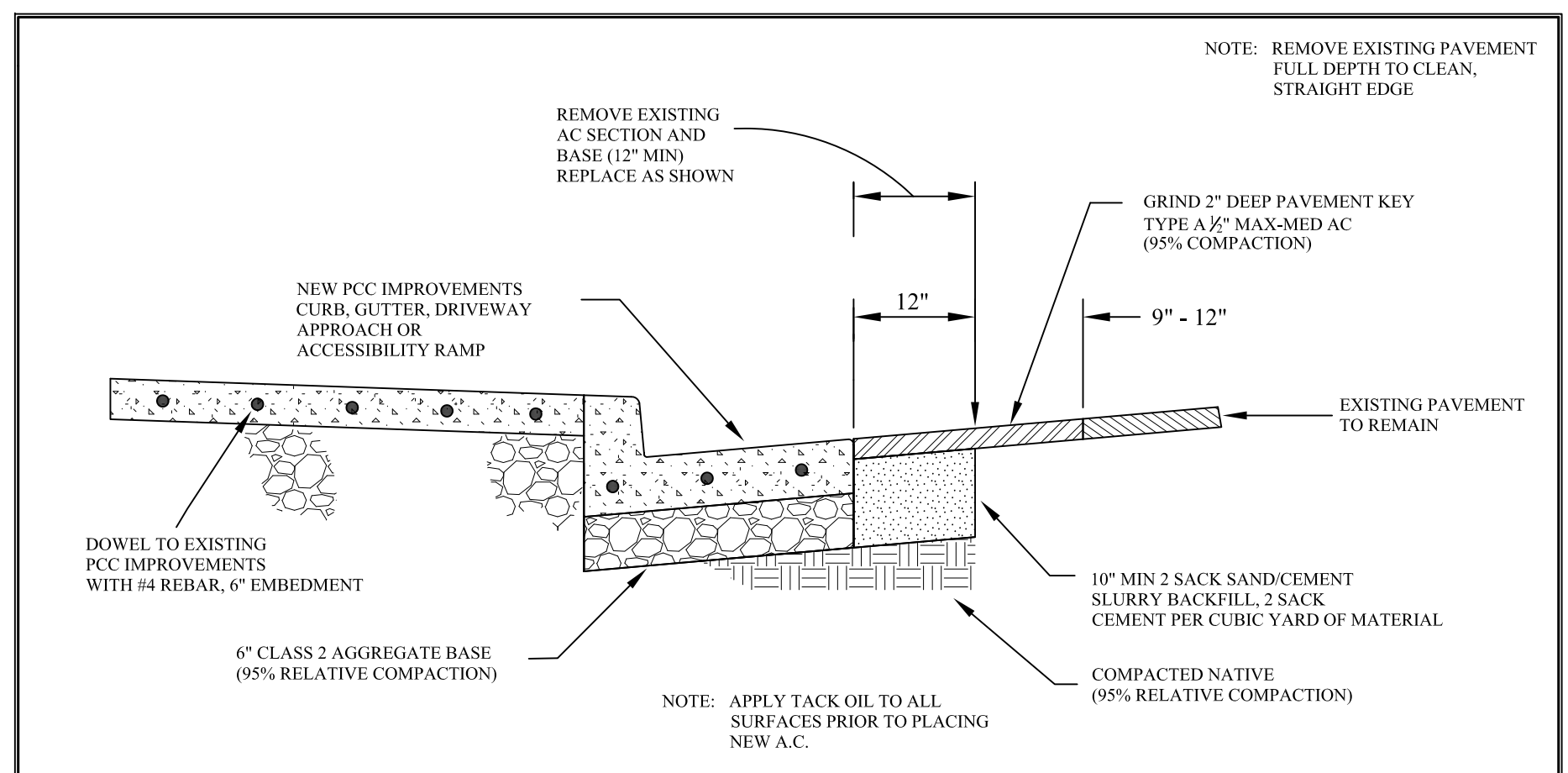
	CITY OF CAMPBELL PUBLIC WORKS DEPARTMENT			REV.	DATE	BY	Curb & Gutter Details SCALE: N.T.S. DETAIL NO. D-20
	DRAWN BY:	DATE:					
	CHECKED BY:	DATE:					
	APPROVED BY:	DATE:					



CURB, GUTTER, AND SIDEWALK CONFIGURATIONS
CITY OF CAMPBELL
DETAIL 1



	CITY OF CAMPBELL PUBLIC WORKS DEPARTMENT			REV.	DATE	BY	Commercial Driveway Detail SCALE: N.T.S. DETAIL NO. D-18
	DRAWN BY:	DATE:					
	CHECKED BY:	DATE:					
	APPROVED BY:	DATE:					



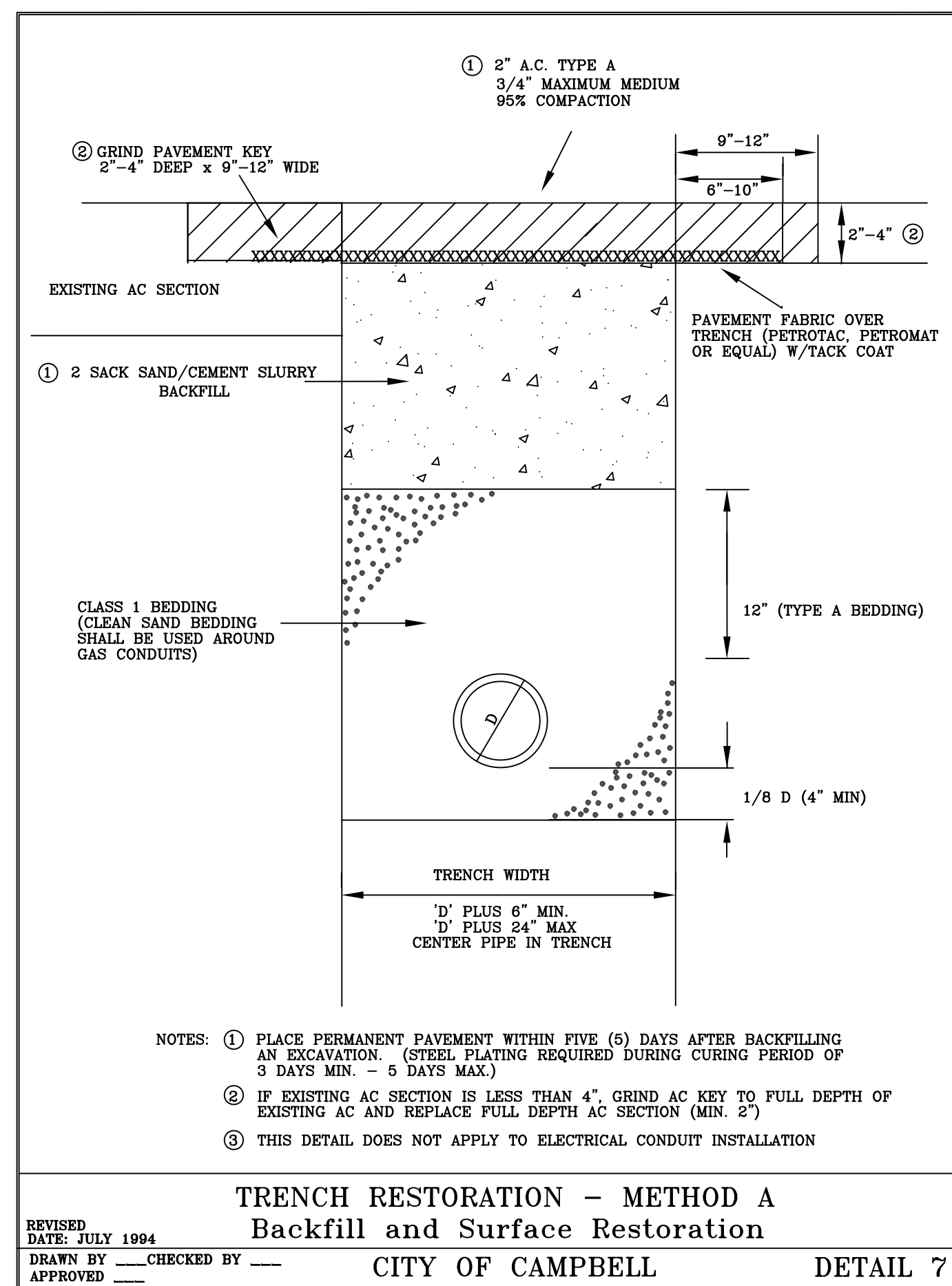
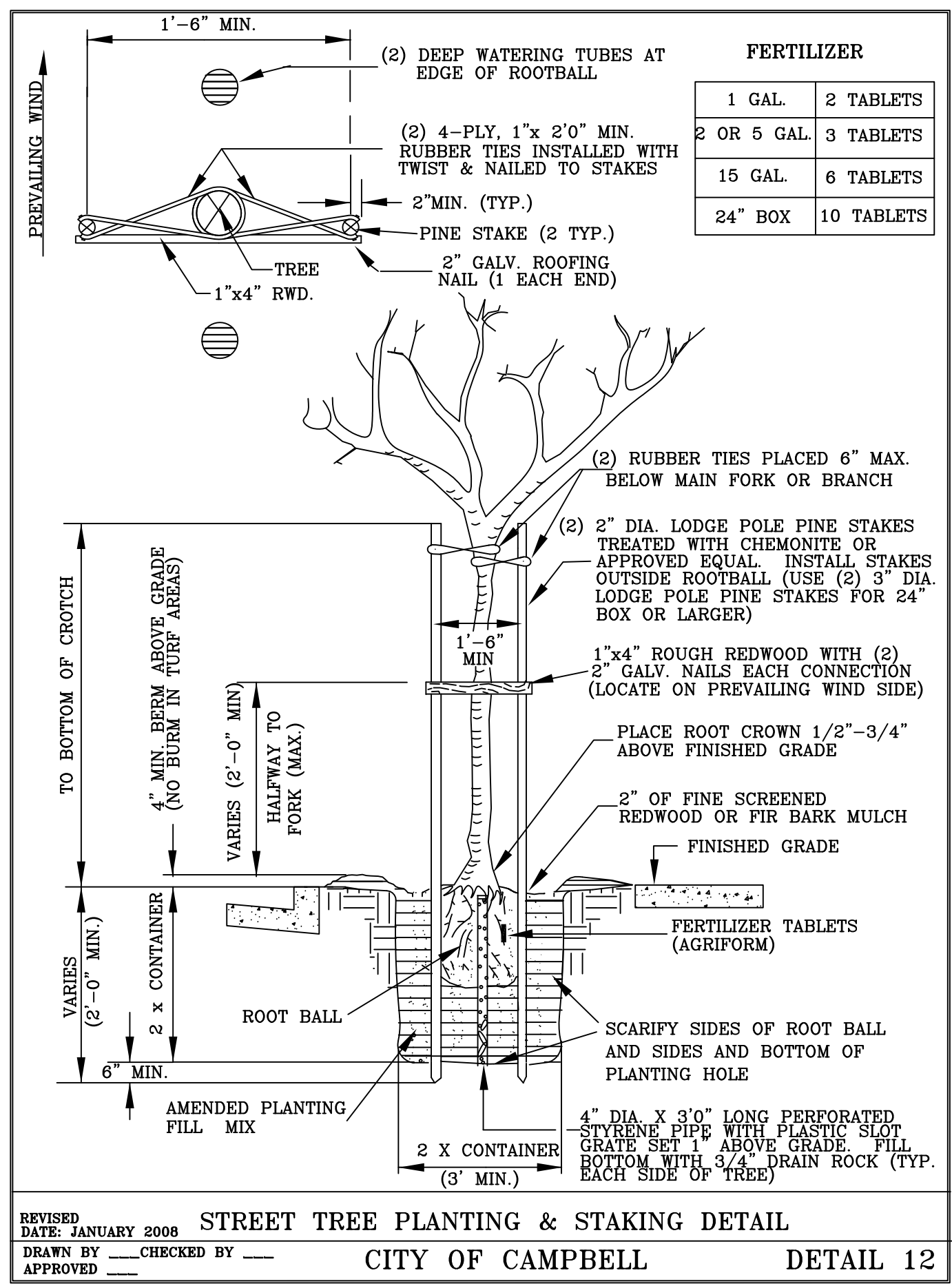
A.C. PAVEMENT REMOVAL & RESTORATION AT NEW PCC IMPROVEMENTS
CITY OF CAMPBELL
DETAIL A-3

STREET TREE PLANTING NOTES

NOTES: (unless otherwise specified in the plans or special provisions)

- All trees shall be a minimum of 15-gallon size and of the variety indicated on the plans or specified by the City Engineer.
- Each tree shall be approved by the Engineer prior to planting. Contractor may request Engineer to pre-approve tree at local nursery.
- The exact location of each tree shall be approved by the Engineer prior to planting.
- Vertically cut the root ball at three or four places to loosen roots and discourage circling. Vertically scarify sides and bottom of planting hole.
- When planting, hold tree so that previous planting level is even with sidewalk level and gradually place top soil about the root ball.
- Top soil fill shall be an approved garden mix loam that is mixed at a 1:1 ratio with the native soil removed from the planting hole.
- When hole is three-quarters full, fill with water to compact the soil and eliminate air pockets.
- Fill planting hole with loose soil to ground level.
- Construct a watering basin around each tree as shown.
- Planting operations must be followed by a deep, thorough watering of each tree.
- Substitutions in tree varieties are permitted only upon written authorization from the City Engineer.
- All street trees installed in commercial and industrial shall be installed with an irrigation system (fed from on-site).

REVISOR: JANUARY 2006
DRAWN BY: _____ CHECKED BY: _____ APPROVED BY: _____
CITY OF CAMPBELL
DETAIL 13



No.	Revision	Date	By	CONSULTANT INFO		
				Date:	Drawn By:	Designed By:
				CITY STANDARD DETAILS OFF-SITE STREET IMPROVEMENT PLANS PROJECT ADDRESS ENCROACHMENT PERMIT NO.		
				SCALE: N.T.S.		
				SHEET: XX OF XX		